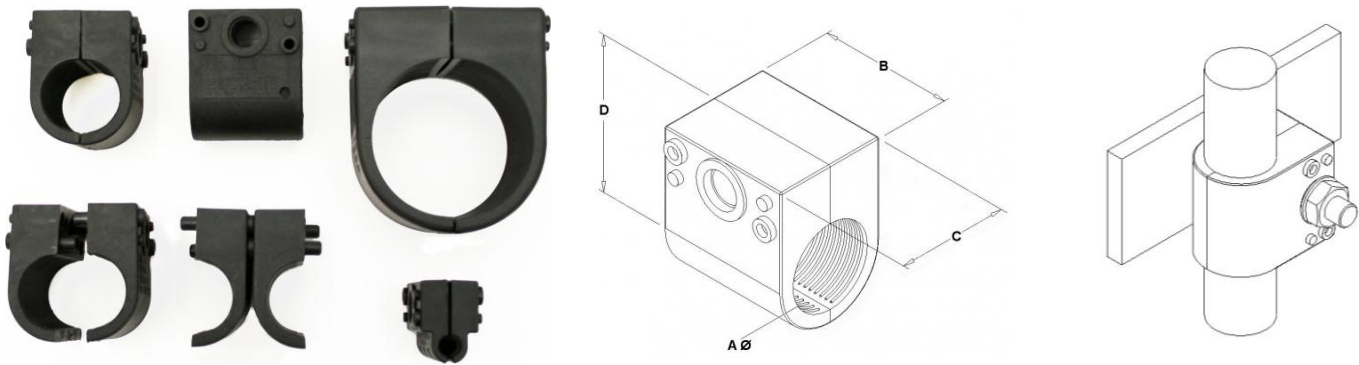


## Single Black Clamps



All two piece single clamps are designed to precisely fit the cable diameter. A range of 11 cable diameters from 5mm to 58mm are available. All single clamps externally interlock with double and 4 way clamps. These GCA Ltd single clamps are manufactured in high grade polypropylene and UV: stabilised to prevent degradation or breaking. For 'flame retardant' clamps to UL94V-0 (0.8mm) LSF Halogen and Phosphorous free material state 'BW4-5/8"FR'.

Part Number	Cable Size	Colour	A	B	C	D	Weight	Pack Qty	Box Qty
BW0005.4mm	5.4mm	Black	5.4	22	32	44	0.01	50	1000
BW00-7.5mm	7.5mm	Black	7.5	25	32	44	0.02	50	800
BW00-8.5mm	8.5mm	Black	8.5	25	32	44	0.02	50	800
BW0-11mm	11mm	Black	11	26	33	44	0.02	50	800
BW1-13mm	13mm	Black	13	27	35	44	0.02	50	600
BW2-1/2"	16mm (1/2")	Black	16	27	40	44	0.02	50	600
BW4-5/8"	21mm (5/8")	Black	21	33	47	44	0.03	50	400
BW5-7/8"	28mm (7/8")	Black	28	42	50	44	0.04	25	300
BW7-1 1/4"	40mm (1-1/4")	Black	40	55	65	44	0.06	20	280
BW8-1 5/8"	50mm (1-5/8")	Black	50	65	75	44	0.08	20	200
BW9-2 1/4"	57mm (2-1/4")	Black	57	75	85	44	0.09	20	160

\* M8 fixings can be used with appropriate M8 washers.

\* N.B. Flexibility of clamps allow tolerance of plus (+) 1mm, and minus (-) 0.2mm.

\*Material: Polypropylene

\*Temperature Range - -40°C to +85°C (-40°F to +185°F)

# Cable Clamp Cross-Reference Chart

Single Clamp	Double Clamp	4 Way Clamp	Clamp Dia (mm)	Andrew Feeder type	RFS Feeder Type	Leoni Feeder Type	LS Cables Feeder Type	Other Cables
BW054	-	4BW054	5.4	FSJ057-50, CNT195, CNT240	-	-	-	RG223 & RG588, Cat 5e UTP, ANY CABLES 5-6mm
BW075	DW0075	-	7.5	HS1RP-50A, FSJ 1.50A, ETS1-50T, CNT 300	SCF 14-50	LC DUPLEX FIBRE OPTIC 84950504G	-	INTERCOND 48, VET CONTROL CABLES
BW085	DW0085	-	8.5	LDF1-50, HST1-50	-	1/4" R (PE)	-	RG6, RET CONTROL CABLE, 2-CORE DC POWER CABLE, SINGLE CORE COPPER EARTH CABLE
BW0	DW0	4BW0	11	LDF2-50, FSJ 2.50, ETS2-50T, HS2RP-50, HST2-50, CNT400	LCF14-50, LCF38-50, SCF 38-50	-	HSFC 10D	RG213 & RG214- 50 ohm, RG8 & RG11- 75 ohm, LMR400, BELDEN 9913, SFX-500, AS1228, H1000, XRD1567,
BW1	DW1	-	13	FSJ4.50B, HS4RP-50, HST4-50	HCA 38-50, SCF12-50	-	-	RG215 & RG217 - 50 ohm, XRD1568
BW2	DW2	-	16 (1/2")	LDF4-50, HLT4-50T, HJ4-50, HL4RP-50, CNT600	LCF12-50	1/2" R (PE)	HFC 12D, HFSC-FR 12D	LDF4.50 CABLE WITH MESSENGER WIRE, USE BW1.4-1/2" MESSENGER WIRE
BW4	DW4	-	21 (5/8")	LDF4.50-50, HJ4-50-50	LCF58-50, HCA58-50	-	-	Reka XCMK-HF DC CABLE
BW5	DW5	-	28 (7/8")	LDF5.50, AVA5-50, HJ5-50, VXL5-50	LCF78-50, HCA78-50, UCT78-50, JFN	7/8" R (PE)	HFC 22D, HFSC-FR 22D	RG220-50ohms, LDF5.50 - CABLE WITH MESSENGER WIRE USE – REF: BW2.0-7/8" MESSENGER WIRE
BW7	DW7	-	40 (1-1/4")	LDF6-50	LCF114-50, UCF114-50	1-1/4" R (PE)	HFC 33D	
BW8	DW8	-	50 (1-5/8")	LDF7-50, AVA7-50, VXL 7-50	LCF158-50, HCA158-50	1-5/8" R (PE)	HFC 42D	CR50-1873, HF158-50
BW9	-	-	57 (2-1/4")	HJ12-50, LDF12-50	LCF214-50, HCA214-50	-	-	-

\* Cable clamp cross references are provided as a guideline and are subject to changes made by cable manufacturers.

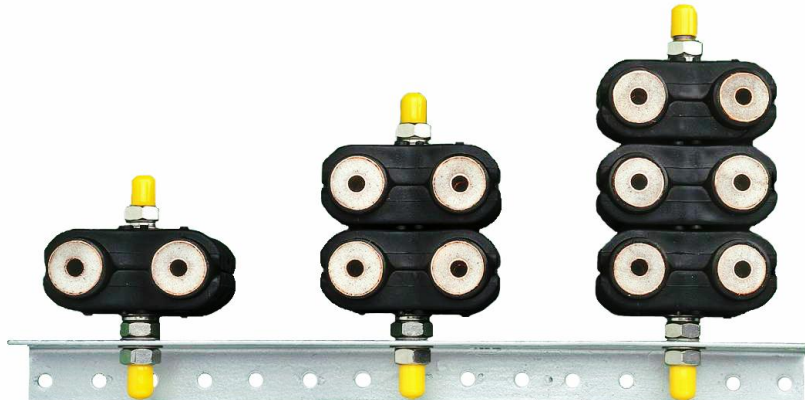
\* Please note that all clamps are designed to interlock when installed back to back, to maximise space on busy towers.

\* All items in this publication are covered by copyright laws and GCA Ltd patent number 2351117.



# Installation Guidelines for Clamps

## Studding Lengths Required for Stacking Clamps



Length of M10 stainless steel threaded studding required for stacking: - single, two or three double or single GCA Ltd clamps, using a maximum 3 x M10 s/s Full Hexagon Nuts, 4 x M10 s/s Form 'B' Flat washers, and 2 x M10 s/s SQ Section Spring Coil Washers. N.B We have allowed additional 4mm for steel work and approx. 15mm maximum – studding protruding after tightening of clamps.

GCA Clamp Part Number	Clamp Stack Height	Studding Size mm	Clamp Stack Height	Studding Size mm	Clamp Stack Height	Studding Size mm
2P-DW0-11mm	1	M10x80	2	M10x100	3	M10x130
2P-DW1-13mm	1	M10x80	2	M10x100	3	M10x130
2P-DW2-1/2"	1	M10x80	2	M10x110	3	M10x130
2P-DW5-7/8" *	1	M10x85	2	M10x130	3	M10x180
2P-DW7-1 1/4"	1	M10x110	2	M10x170	3	M10x250
2P-DW8-1 5/8"	1	M10x130	2	M10x200	3	M10x280

\* N.B. Studding lengths for single clamps are the same for double clamps e.g BW5-7/8" triple stack height uses M10x180 which is the same for the "p-DW5-7/8"

## Swiveling Clamps at an Angle

To allow clamps to angle to transmitter place 2 qty – M10 flat washers on studding 'between' back to back of clamps to eliminate interlocking. Swivel clamps to required angle (cable position). Finally tighten M10 hexagonal nut.

All items are covered by copyright laws GCA Ltd patent number 2351117

