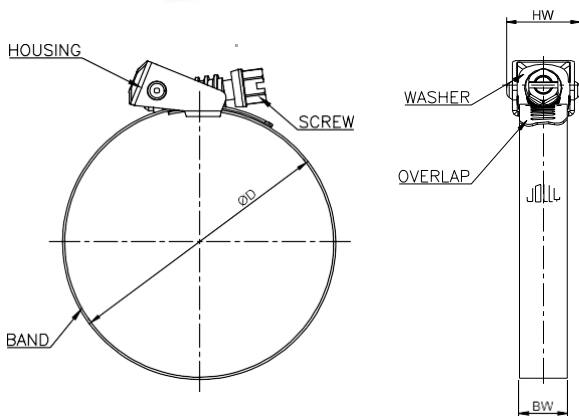


Quick Release Worm Drive Clamp



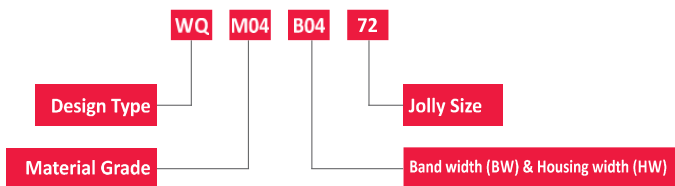
- Quick installation and removal.
- Easy solution for testing of a wide range of hose diameters.
- Suitable in areas where clamp separation is necessary.



Jolly Size Ordering Code	Sizes	Min Dia (in)	Max Dia (in)	Min Dia (mm)	Max Dia (mm)
72	72	2	5	51	127
88	88	2	6	51	152
104	104	2 7/8	7	73	178
116	116	1 3/4	7 3/4	45	197
128	128	2 1/4	8 1/2	45	216
136	136	1 3/4	9	45	228
152	152	2	10	51	254
188	188	2	12 1/4	51	311
248	248	1 3/4	16	44	406
344	344	1 3/4	22	44	559

Additional sizes are available as per enquiry

Example for Ordering Code



Short Description

Jolly Quick Release Worm Drive Clamp is designed for applications which requires the clamp to be opened fully for positioning. This clamp is available in wide diameter range which makes it flexible enough to suit for very large diameter applications. Quick release housing & Screw arrangement makes installation & removal quick & easy which makes this clamp most suitable for cable retaining applications where nylon cable ties are not suitable due to fire regulations

Design Type Ordering Code : WQ

Ordering Code	Material Grade Option
M03	Band & Housing : SS 304 Screw : SS 410
M23	Band & Housing : SS 301 Screw : SS 410

Note: Ordering code M03 is Standard available.

Ordering Code	Band (BW) & Housing (HW) Width Options
B04	Band : 12.7 mm (0.5") Housing : 17 mm (0.74")

Area of Application

Electrical Applications • Packaging Applications • Industrial Applications
Domestic Applications • Hardware Applications

We reserve the right to make technical & dimensional modifications within Standard specification .
UPC code made available on request.
Packing Specification available.